

# Lighten Up

You have two switches (**A** and **B**) and two lights (**L1** and **L2**). Both switches are initially off (and both lights are off).

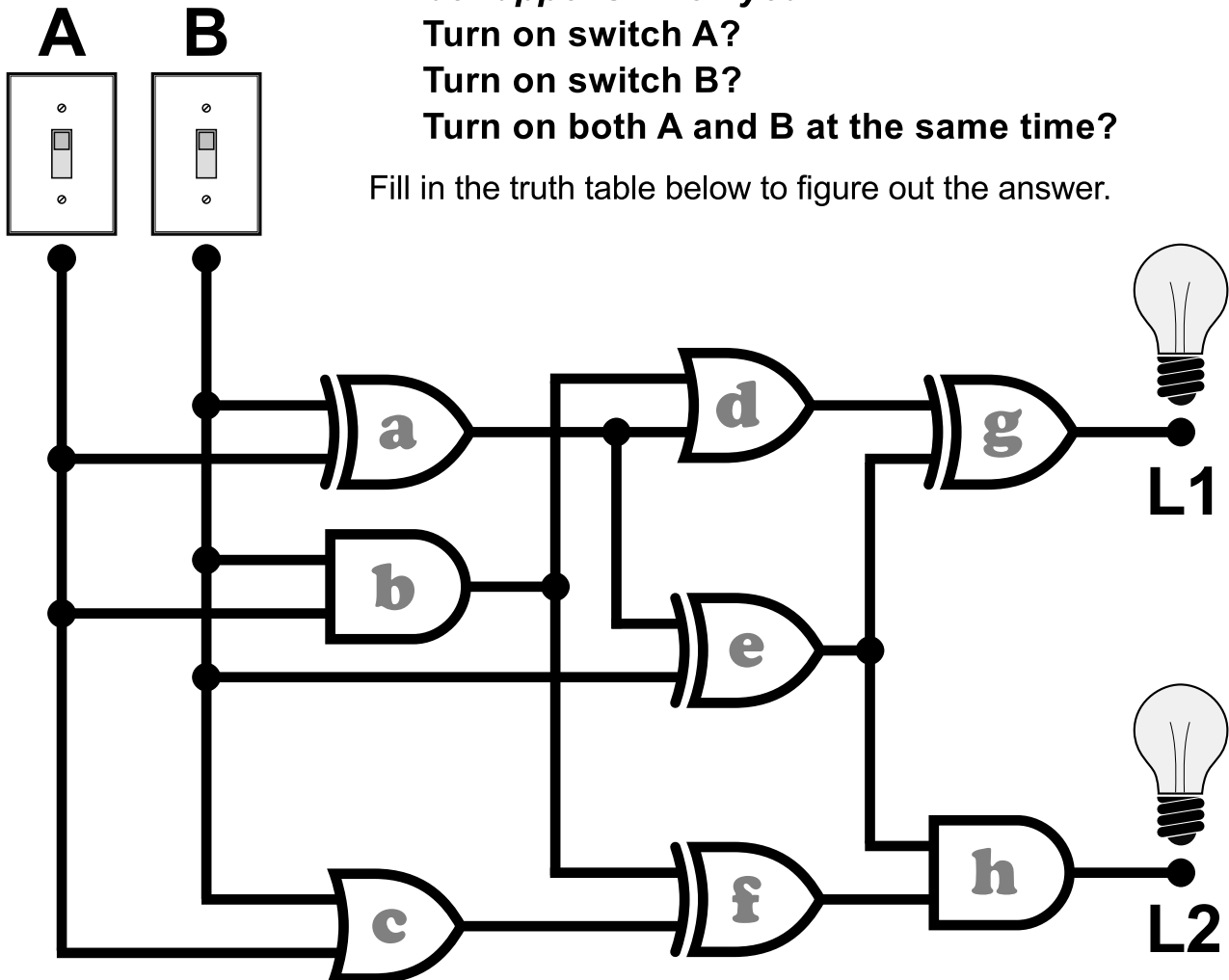
*What happens when you:*

Turn on switch **A**?

Turn on switch **B**?

Turn on both **A** and **B** at the same time?

Fill in the truth table below to figure out the answer.



Switches		Logic gates								Lights	
A	B	a	b	c	d	e	f	g	h	L1	L2
0	0	—	—	—	—	—	—	—	—	—	—
0	1	—	—	—	—	—	—	—	—	—	—
1	0	—	—	—	—	—	—	—	—	—	—
1	1	—	—	—	—	—	—	—	—	—	—