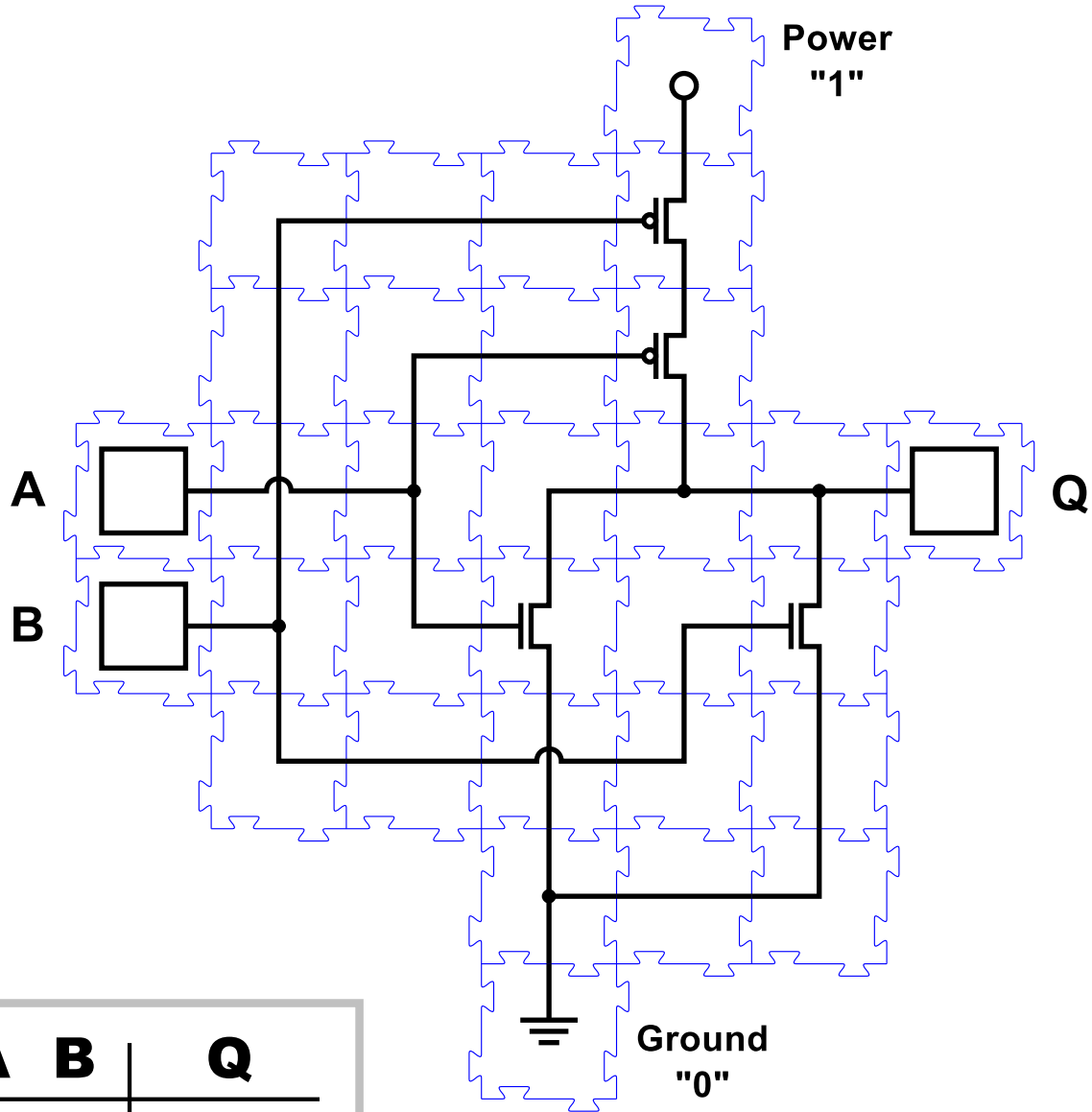


CMOS #3

Plug in all the combinations of '0' and '1' values for A and B into this circuit and then follow the flow of electricity to determine Q for each pair of input values.

Fill in the Truth Table with your answers.



| A | B | Q |
|---|---|-------|
| 0 | 0 | _____ |
| 0 | 1 | _____ |
| 1 | 0 | _____ |
| 1 | 1 | _____ |

Which logical operation does this implement?