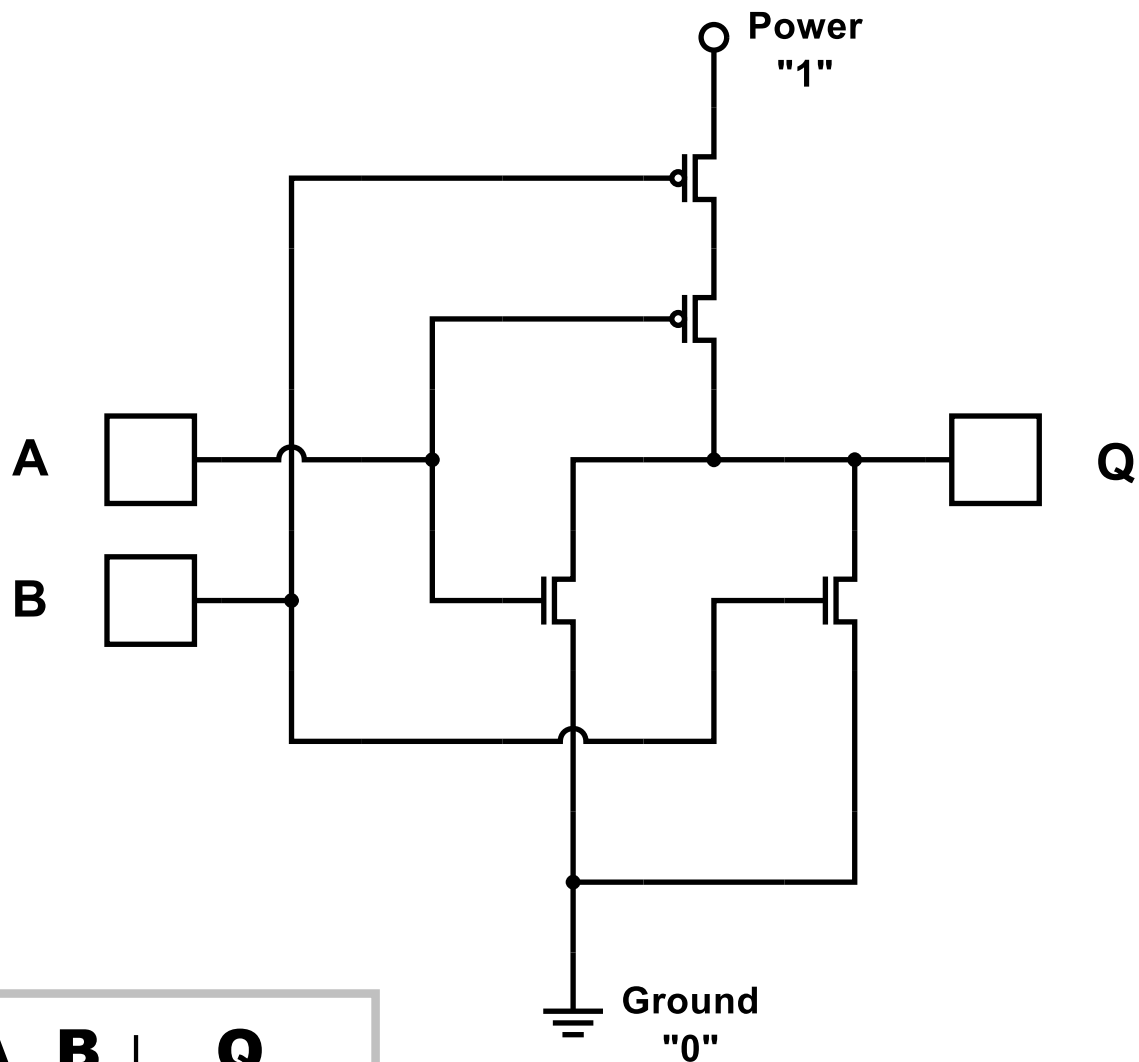


# CMOS #3

Plug in all the combinations of '0' and '1' values for A and B into this circuit and then follow the flow of electricity to determine Q for each pair of input values.

Fill in the Truth Table with your answers.



A	B	Q
0	0	_____
0	1	_____
1	0	_____
1	1	_____

Which logical operation does this implement?