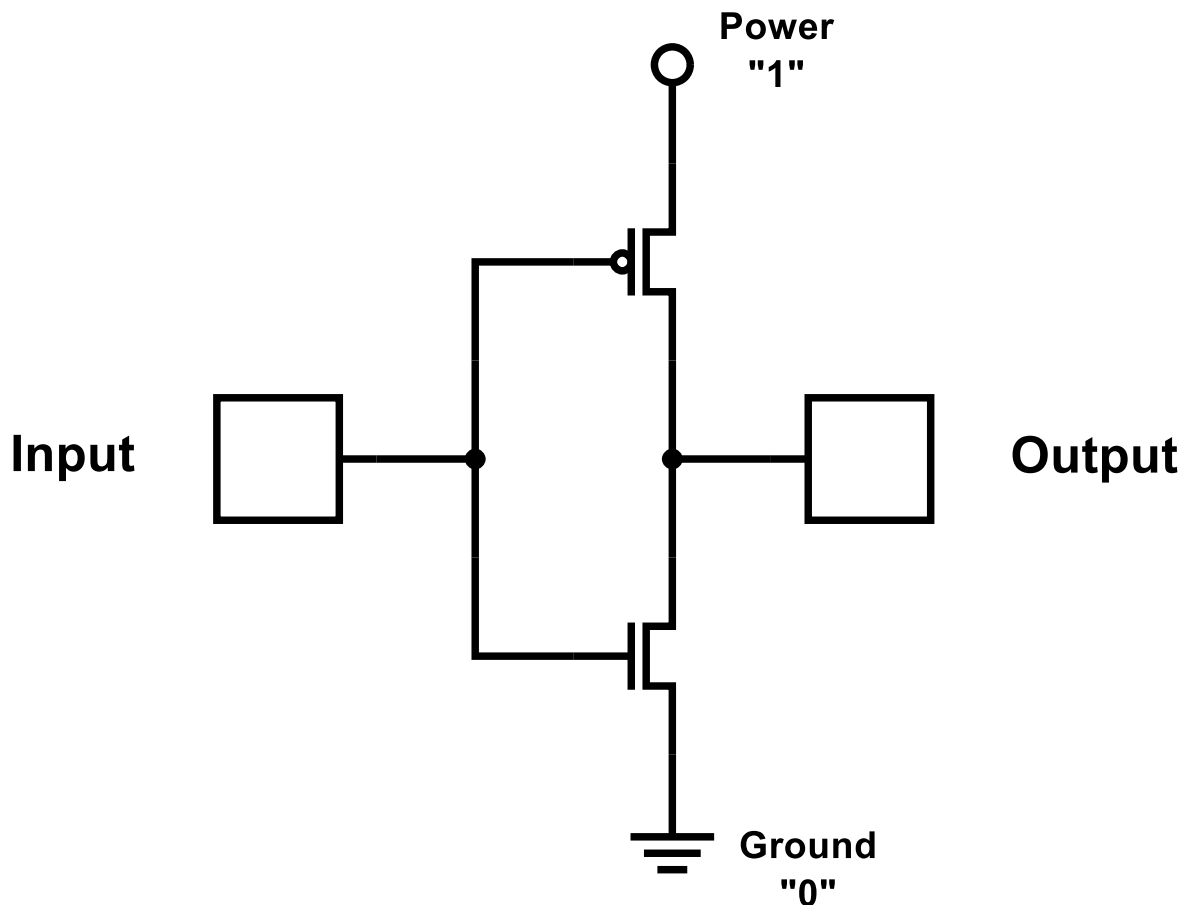


CMOS #1

Using your knowledge of nMOS and pMOS transistors, plug '0' and '1' values into the Input and then follow the flow of electricity to determine the Output.

Is the Output connected to Power ('1') or to Ground ('0') for each Input value?



When the Input is 0 , the Output is _____.

When the Input is 1 , the Output is _____.

Which logical operation does this implement? _____.